



No. 6, Hejiang Road, Zhongli City,  
Taoyuan County, TAIWAN  
Tel: +886-3-452-5188  
Fax: +886-3-462-9588  
www.luxnetcorp.com.tw

## 1310nm LED TO-can

### EI6C-800x-x Series

**TYPE NAME: EI6C-8000-E**

#### **Product Description:**

The LuxNet 1310nm LED TO-can assembly is designed for fiber optic data communication applications. This TO-can is designed with ball lens cap and can be integrated with different types of ports with lens. The receptacle can be engaged with a multi mode fiber connector to provide good coupling efficiency as light generated by the LED is transmitted into multi mode fiber.

#### **Product Specifications:**

Absolute Maximum Ratings (T = 25°C)

Parameter	Symbol	Unit	Min.	Max.	Note
Operating Temperature	T <sub>op</sub>	°C	- 40	85	
Storage Temperature	T <sub>stg</sub>	°C	- 40	85	
Solder Reflow Temperature				260	10 seconds max.
Reverse Voltage	V <sub>r</sub>	V		2	
Forward Current	I <sub>F</sub>	mA		150	

Electro-Optical Characteristics (T = 25°C, CW, I<sub>F</sub>=60mA):

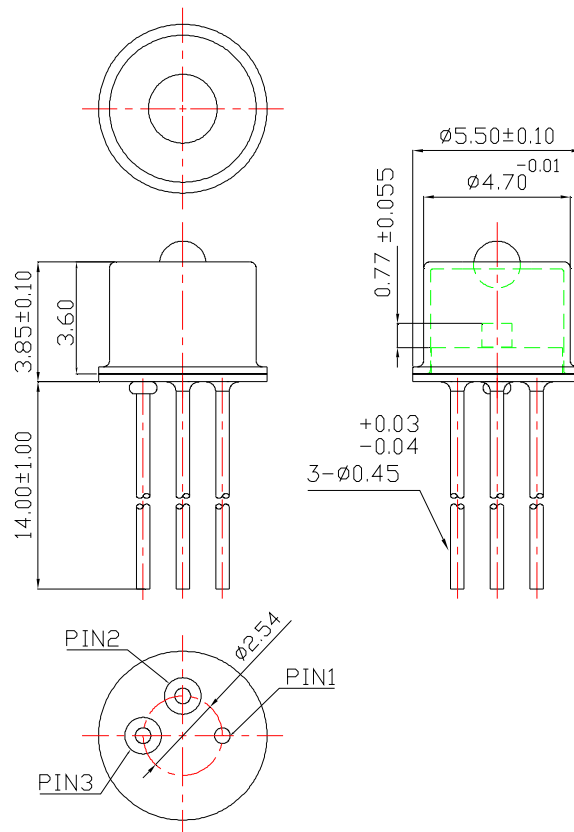
Parameter	Symbol	Unit	Min.	Typ	Max.	Test Condition
Optical output power	P <sub>o</sub>	mW	0.6	1.0		I <sub>F</sub> =60mA
Wavelength	λ	nm	1280	1310	1350	I <sub>F</sub> =60mA
Spectral Width (RMS)	Δλ	nm			170	I <sub>F</sub> =60mA
Forward Voltage	V <sub>F</sub>	V		1.2	1.7	I <sub>F</sub> =60mA
Bandwidth	BW	MHz		155		I <sub>F</sub> =60mA
Rise Time/ Fall Time	T <sub>r</sub> / T <sub>f</sub>	ns			3	10%-90%
Output Power over Temperature	ΔP <sub>o</sub> /ΔT	dB			±3	-40°C to +85°C

- \* Specifications are subject to change without notice.
- \* Screening per customer-specified reject limits is available.

Version 1.1

## EI6C-8000-E(TO-can)

**Dimensions:** (mm)  
All dimensions are nominal



### PINOUT

EI6A-8000-E	
Number	Function
1	Case GND
2	LED Cathode
3	LED Anode

\* Specifications are subject to change without notice.  
\* Screening per customer-specified reject limits is available.