

1310nm 25Gbps LC-ROSA (Preliminary)

L-AR-IM99-xx Series

TYPE NAME: L-AR-IM99-04

Product Description:

The LuxNet 1310nm 25Gbps LC-ROSA (Receiver Optical Sub-Assembly) is designed for SFP28 module for duplex optical data communications support 24.33Gbps and 25.78Gbps. This device integrates with 25G high speed InGaAs PIN chip and trans-impedance amplifier (TIA) into a TO-46 package and LC receptacle with fiber stub. A flex provides interconnects from header leads to transceiver PCB with controlled impedance.

Product Specifications:

Absolute Maximum Ratings (T = 25°C):

Parameter	Symbol	Unit	Min.	Max.	Note
Operating Temperature	Top	°C	-40	85	Case Temp.
Storage Temperature	Tstg	°C	-40	85	
TIA supply voltage	Vcc	V		4	Tc = 25°C
Solder Reflow Temp.	Tsrt	°C		270	10sec Max.

Electro-Optical Characteristics (Tc = 25°C, unless noted otherwise):

Parameter	Symbol	Unit	Min.	Typ.	Max.	Test Condition
Power Supply Voltage	Vcc	V	2.97	3.3	3.63	
Supply Current	Icc	mA		30		Vcc=3.3V, no light
Wavelength	λ	nm		1310		
Data Rate	DR	Gb/s		25.78		
Sensitivity	Sen	dBm			-12.0	ER=4.0dB, PRBS 2 ³¹ -1, BER=1E-12
Overload	Pmax	dBm	3.0			ER=4.0dB, PRBS 2 ³¹ -1, BER=1E-12,
Output impedance	Rout	Ω		50		Singe Ended
Optical Return Loss	ORL	dB	-26			

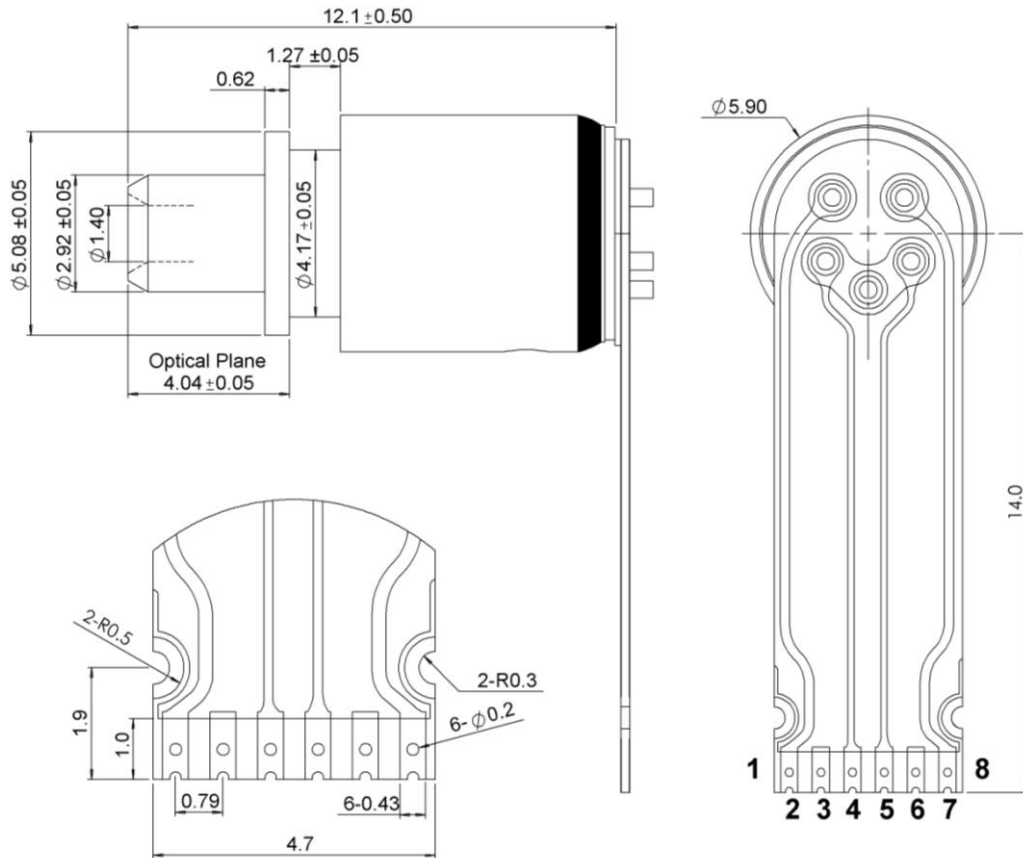
* Specifications are subject to change without notice.

* Screening per customer-specified reject limits is available.

L-AR-IM99-04

Dimensions: (mm)

All dimensions are nominal



Flex board PINOUT (Bottom View)

NUMBER	FUNCTION
1	GND
2	VCC
3	GND
4	D-
5	D+
6	GND
7	RSSI
8	GND

* Specifications are subject to change without notice.

* Screening per customer-specified reject limits is available.

1310nm 25Gbps LC-ROSA

(Preliminary)

Notice

Version	Date	Status	Description	Signature
1.0	05/12	Initial	L-AR-IM99-04 Preliminary datasheet	John Fu

* Specifications are subject to change without notice.

* Screening per customer-specified reject limits is available.

Version 1.0