

1310nm 25Gbps PIN-TIA (Preliminary)

L-TR-IM99-xx Series

TYPE NAME: L-TR-IM99-01

Product Description:

The LuxNet L-TR-IM99-x is designed for high-speed, high-performance 25G Ethernet applications. This device integrates our high-speed 1310nm PIN detector with a 25G trans-impedance amplifier (TIA) and capacitors into a TO-46 5pin header with cap window. The PIN-TIA assembly can be integrated with a fiber receptacle housing to receive light from fiber through a receptacle into the PIN detector with high coupling efficiency

Product Specifications:

Absolute Maximum Ratings (T = 25°C):

Parameter	Symbol	Unit	Min.	Max.	Note
Operating Temperature	Top	°C	-40	85	Case Temp.
Storage Temperature	Tstg	°C	-40	85	
TIA supply voltage	Vcc	V		4	Tc = 25°C
Solder Reflow Temp.	Tsrt	°C		270	10sec Max.

Electro-Optical Characteristics (Tc = 25°C, unless noted otherwise):

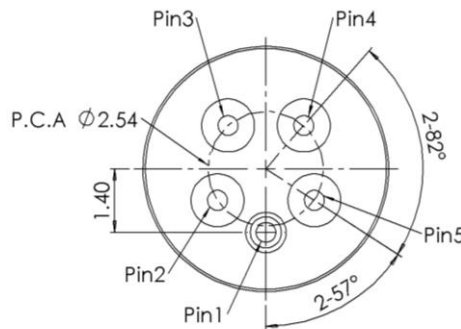
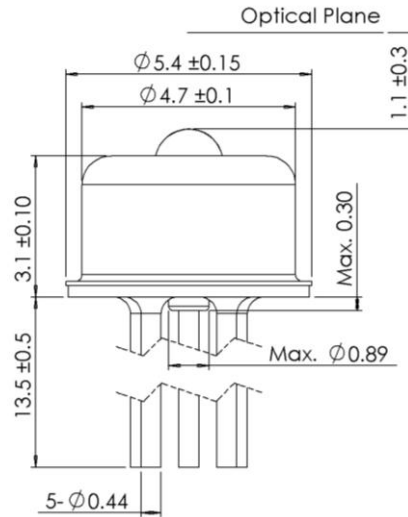
Parameter	Symbol	Unit	Min.	Typ.	Max.	Test Condition
Power Supply Voltage	Vcc	V	2.97	3.3	3.63	
Supply Current	Icc	mA		30		Vcc=3.3V, no light
Wavelength	λ	nm		1310		
Data Rate	DR	Gb/s		25.78		
Responsivity	Res	A/W	0.90			
Sensitivity	Sen	dBm			-12.0	ER=4.0dB, PRBS 2 ³¹ -1, BER=1E-12
Overload	Pmax	dBm	3.0			ER=4.0dB, PRBS 2 ³¹ -1, BER=1E-12,
Output impedance	Rout	Ω		50		Singe Ended

* Specifications are subject to change without notice.

* Screening per customer-specified reject limits is available.

L-TR-IM99-01

Dimensions: (mm)
 All dimensions are nominal



Flex board PINOUT (Bottom View)

PIN NUMBER	FUNCTION
1	GND
2	D-
3	Vcc
4	RSSI
5	D+

* Specifications are subject to change without notice.
 * Screening per customer-specified reject limits is available.