

850nm 10Gbps LC-ROSA

MG5G-907x-Kx Series

TYPE NAME: MG5G-907J-KP0

Product Description:

The LuxNet 850nm 10Gbps LC-ROSA (Receiver Optical Sub-Assembly) is designed for 10Gbps data communication performance requirements through multi mode optical fiber. This device integrates with a 10G high speed GaAs PIN chip and a trans-impedance amplifier (TIA) into a TO-46 cap, 5-pin header and LC plastic receptacle. A flex provides interconnects from header leads to transceiver PCB with controlled impedance. This product is designed for the applications include 8G Fiber channel, 10G Ethernet.

Product Specifications:

Absolute Maximum Ratings (T = 25°C):

Parameter	Symbol	Unit	Min.	Max.	Note
Operating Temperature	T _{op}	°C	-40	85	
Storage Temperature	T _{stg}	°C	-40	85	
Solder Reflow Temperature	T _s	°C		260	10 seconds max.
Power Supply Voltage	V _p	V	-0.5	5	
Optical Power	P _{in}	dBm		5	

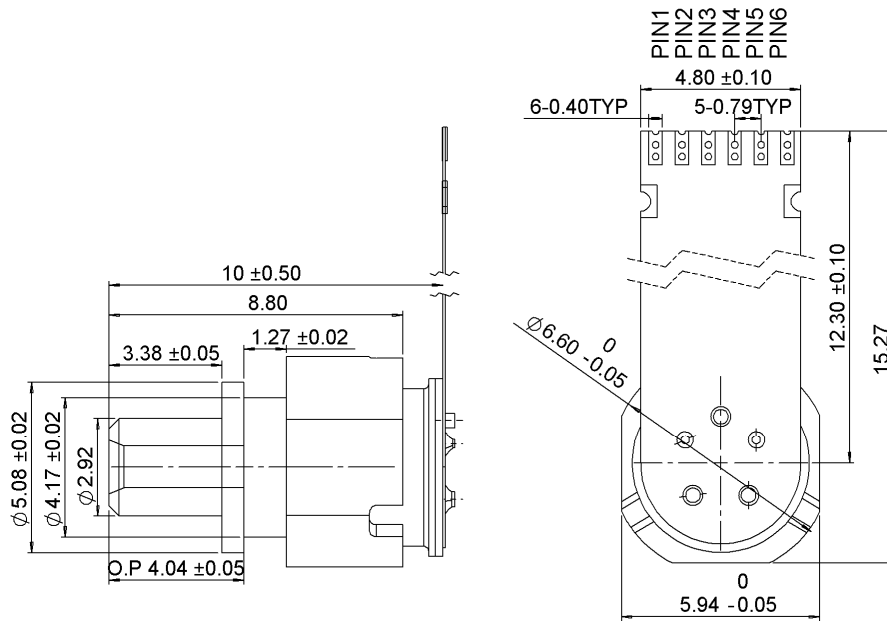
Electro-Optical Characteristics (T = 25°C, unless noted otherwise):

Parameter	Symbol	Unit	Min.	Typ.	Max.	Test Condition
Supply Voltage	V	V	2.97	3.3	3.63	
Supply Current	I _{cc}	mA		27	34	V _{cc} =3.3V
Responsivity	R	A/W	0.45	0.50		λ =850nm
Sensitivity	S	dBm			-13	λ=850nm@10.3125G PRBS=2 ³¹ -1, BER=10 ⁻¹² , ER=4.5~5.0dB Fiber@62.5mm
Wavelength	λ	nm	840	850	860	
Rise/Fall Time	T _R /T _F	ps		40	50	(20%-80%)

* Specifications are subject to change without notice.
* Screening per customer-specified reject limits is available.

MG5G-907J-KP0(LC-ROSA)

Dimensions: (mm)
All dimensions are nominal



Flex board PINOUT(Bottom View)

MG5G-907J-KP0	
Number	Function
1	RSSI(Current Source)
2	GND
3	Inverted output(D*)
4	Non-Inverted output(D+)
5	GND
6	VCC

* Specifications are subject to change without notice.
* Screening per customer-specified reject limits is available.



No. 6, Hejiang Road, Zhongli City,
Taoyuan County, TAIWAN
Tel: +886-3-452-5188
Fax: +886-3-462-9588
www.luxnetcorp.com.tw

850nm 10Gbps LC-ROSA

Notice

Version	Date	Status	Description	Signature
1.0	2012/12/03	Initial	MG5G-907J-KP0 Specification	Maggie

* Specifications are subject to change without notice.
* Screening per customer-specified reject limits is available.

Version 1.1