

1310/1550nm 4-Pin CATV/Analog PIN-TO

MI0X-8034-x Series

TYPE NAME: MI0X-8034-C

Product Description:

The LuxNet MI0X-8034-x PIN-TO is designed for CATV/Analog communication applications. This device packaged our high-speed 1310/1550 nm PIN detector into a TO-46 header with cap window. The PIN-TO can be integrated with different types of ports engaged with a fiber connector to transmit the light from fiber through a receptacle into the PIN detector with high coupling efficiency.

Product Specifications:

Absolute Maximum Ratings (T = 25°C):

Parameter	Symbol	Unit	Min.	Max.	Note
Operating Temperature	T _{op}	°C	-40	85	
Storage Temperature	T _{stg}	°C	-40	100	
Solder Reflow Temperature	T _s	°C		260	10 seconds max.
Forward Current	I _f	mA		10	
Reverse Voltage	V _R	V		20	

Electro-Optical Characteristics (T = 25°C, unless noted otherwise):

Parameter	Symbol	Unit	Min.	Typ.	Max.	Test Condition
Responsivity	R	A/W	0.85 0.90	0.90 -		λ = 1310 nm@-5V λ = 1550 nm@-5V
Dark Current	I _D	nA		0.10	1.0	V _R = -5V
Breakdown Voltage	V _B	V	20			I _R = 1 μA
Capacitance	C	pF		0.44	0.50	V _R =2V, f=1MHz
Cut-off Frequency	f _C	GHz	3			V _R =2V, R _L =50Ω
Second Order Inter-Modulation Distortion	IMD2	dBc		-75	-70	λ = 1550 nm(Note 1)
Third Order Inter-Modulation Distortion	IMD3	dBc		-85	-80	λ = 1550 nm(Note 1)

Notes

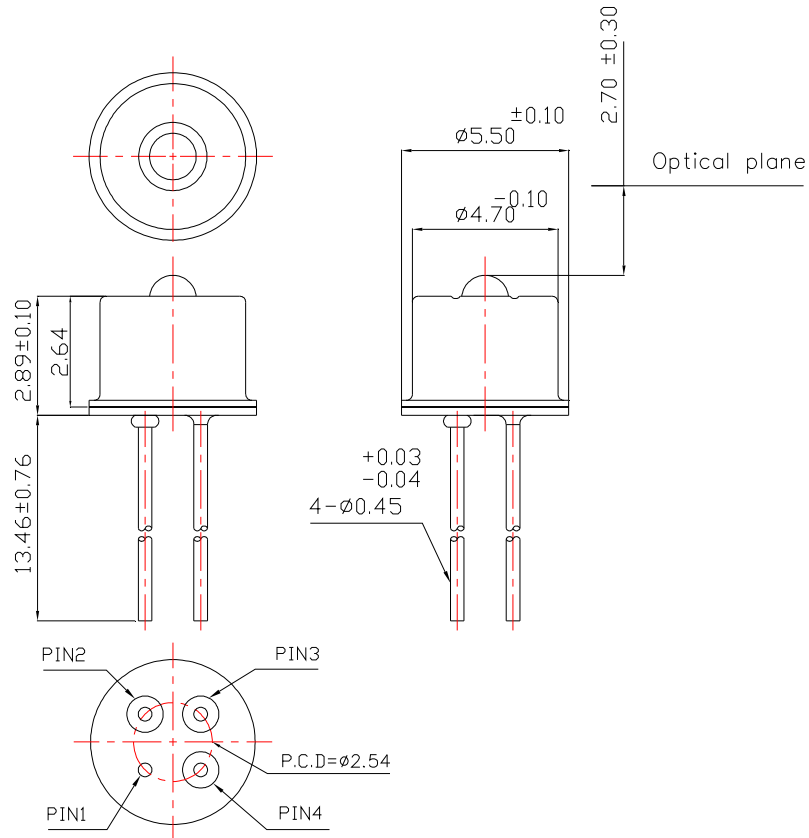
1. IMD2, IMD3 measured at V_R = 12V, P_{avg}=0dBm, OMI=40%, R_L=50 Ohm, f₁=244MHz, f₂=250MHz

* Specifications are subject to change without notice.
* Screening per customer-specified reject limits is available.

Version 1.1

MI0X-8034-C (TO-can)

Dimensions: (mm)
All dimensions are nominal



PINOUT

MI0X-8034-C	
Pin Number	Function
1	Gas GND
2	PD-
3	PD+
4	GND

* Specifications are subject to change without notice.
* Screening per customer-specified reject limits is available.



No. 6, Hejiang Road, Zhongli City,
Taoyuan County, TAIWAN
Tel: +886-3-452-5188
Fax: +886-3-462-9588
www.luxnetcorp.com.tw

1310/1550nm 4-Pin CATV/Analog PIN-TO

Notice

Version	Date	Status	Description	Signature
1.0	2012/11/30	Initial	M10X-8034-C Specification	Maggie

* Specifications are subject to change without notice.
* Screening per customer-specified reject limits is available.

Version 1.1