

1310nm 10Gbps 5Pin PIN-TIA

MI5G-803x-x Series

TYPE NAME: MI5G-8037-KD

Product Description:

The LuxNet MI5G-803x-x is designed for high-speed, high-performance SONET/SDH/Fiber channel applications. This device integrates our high-speed 1310 nm PIN detector with a 10G trans-impedance amplifier (TIA) and capacitors into a TO-46 header with cap window. The PIN-TIA TO assembly can be integrated with a receptacle housing to receive light through the PIN detector with high coupling efficiency.

Product Specifications:

Absolute Maximum Ratings (T = 25°C):

Parameter	Symbol	Unit	Min.	Max.	Note
Operating Temperature	T _{op}	°C	-40	85	
Storage Temperature	T _{stg}	°C	-40	85	
Lead Solder Temperature	T _{stg}	°C		260	10 Seconds Max
Power Supply Voltage	V _p	V	-0.5	5	
Optical Power	P _{in}	dBm		5	

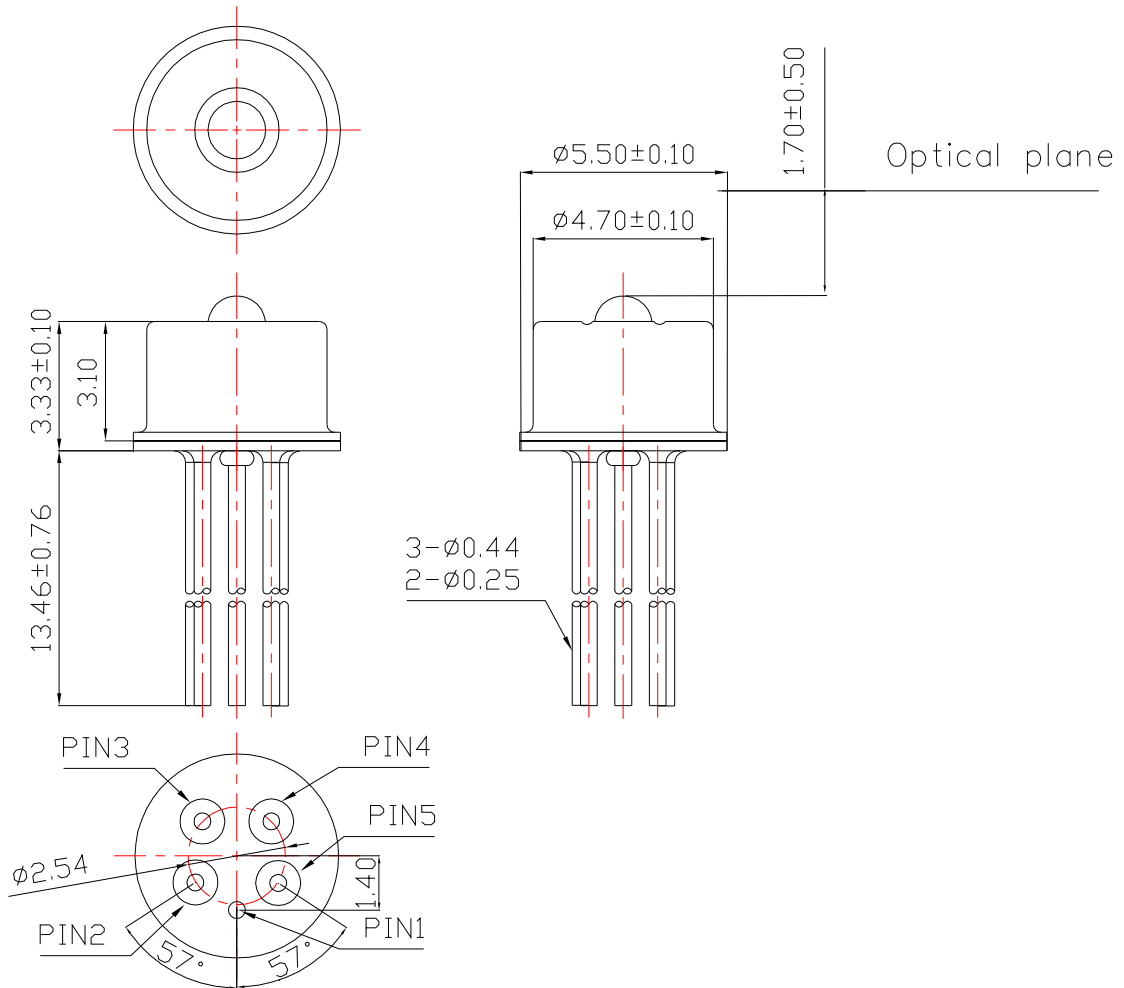
Electro-Optical Characteristics (T = 25°C, unless noted otherwise):

Parameter	Symbol	Unit	Min.	Typ.	Max.	Test Condition
Supply Voltage	V _{cc}	Volts	2.97	3.3	3.63	
Supply Current	I _{cc}	mA		27	34	V _{cc} =3.3V
Responsivity	R	A/W	0.85			λ =1310nm
Sensitivity	S	dBm			-16.5	λ =1310nm, Speed=10.3125Gbps, PRBS=2 ³¹ -1, BER=10 ⁻¹² , ER=5.0dB
Wavelength	λ	nm	1260	1310	1620	
Rise/Fall Time	T _R /T _F	ps		40	50	(20%-80%)
Overload Power	Pload	dBm	0.5			λ =1310nm, PRBS=2 ³¹ -1, BER=10 ⁻¹²

Note 1: The Sensitivity Test is under LuxNet's Test Board and ROSA With Flex Board.

MI5G-8037-KD (PIN-TIA)

Dimensions: (mm)
All dimensions are nominal



PINOUT

MI5G-8037-KD	
Number	Function
1	GND
2	Non-Inverted output(D+)
3	VCC
4	Current source(RSSI)
5	Inverted output(D*)

* Specifications are subject to change without notice.
* Screening per customer-specified reject limits is available.



No. 6, Hejiang Road, Jhongli City,
Taoyuan County, TAIWAN
Tel: +886-3-452-5188
Fax: +886-3-462-9588
www.luxnetcorp.com.tw

1310nm 10Gbps 5Pin PIN-TIA

Notice

Version	Date	Status	Description	Signature
1.0	2012/12/13	Initial	MI5G-8037-KD Specification	Maggie

* Specifications are subject to change without notice.
* Screening per customer-specified reject limits is available.

Version 1.1