

155M 1310nm LED LC TOSA

EI6B-9010-E Series

Ver. : 1.0

Type Name: EI6B-9010-E

Product Description:

The LuxNet 1310nm LED TOSA assembly is designed for fiber optic data communication applications. This TOSA can be integrated with different types of ports that are engaged with a multi mode fiber connector to provide good coupling efficiency as light generated by the LED is transmitted into multi mode fiber.

Application Note:

- LED

Product Specifications:

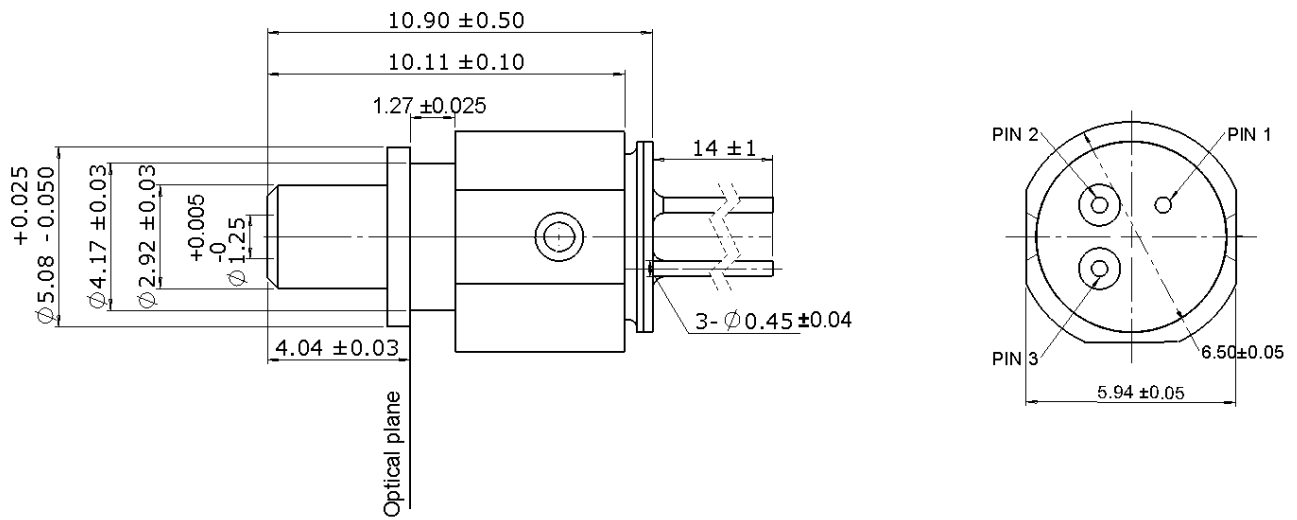
Absolute Maximum Ratings

Parameter	Symbol	Unit	Min.	Max.	Note
Operating Temperature	T_{op}	°C	- 40	85	
Storage Temperature	T_{stg}	°C	- 40	85	
Solder Reflow Temperature	T_s	°C		260	10 seconds max.
Reverse Voltage	V_r	V		2	
Forward Current	I_F	mA		150	

Electro-Optical Characteristics (T = 25°C, unless noted otherwise):

Parameter	Symbol	Unit	Min.	Typ	Max.	Test Condition
Optical output power	P_o	uW	30		45	62.5/125um MM fiber
Wavelength	λ	nm	1280	1310	1380	
Spectral Width (RMS)	$\Delta\lambda$	nm			170	
Forward Voltage	V_F	V		1.2	1.7	
Rise Time/ Fall Time	T_r/ T_f	ns			3	10%-90%
Output Power over Temperature	$\Delta P_o/\Delta T$	dB			±3	-40°C to +85°C

*All specifications or information contained herein are subject to change for improvement without notice.
Further details are available from any LUXNET sales representative.*

EI6B-9010-E(LC TOSA)
Dimension: (mm)
All dimensions are nominal

PINOUT

Number	Function
1	Case Gnd
2	LED Cathode
3	LED Anode

*All specifications or information contained herein are subject to change for improvement without notice.
 Further details are available from any LUXNET sales representative.*

Document History

Version	Date (MM/DD/YYYY)	Notes
1.0	04/19/2022	Delete EI6B-901x-x series datasheet and add for single product number datasheet

*All specifications or information contained herein are subject to change for improvement without notice.
Further details are available from any LUXNET sales representative.*