

25Gbps CWDM Laser TOSA

L-AT-ICXX-00 Series

TYPE NAME: L-AT-ICXX-00

Product Description

The 25Gb/s CWDM Laser TOSA (Transmitter Optical Sub-Assembly) is designed for 100G BASE QSFP28 CWDM4. This device integrates a high performance Distributed Feedback laser diode with a Monitor PD as laser power monitor inside TOSA. It features very low threshold current with an adequate output power over a wide range of operating temperatures.

Product Specifications

Absolute Maximum Ratings

Parameter	Symbol	Units	Min	Max.	Notes
Operating Temperature (case)	T _c	°C	-40	+85	Case temperature
Storage Temperature	T _{stg}	°C	-40	+85	
Solder Reflow Temperature	STEM	°C	-	260	5 seconds max.
Laser Reverse Voltage	V _{RL}	V	-	2	
Laser Forward Current	I _{FL}	mA	-	100	
Photodiode Reverse Voltage	V _{RD}	V	-	2	
Photodiode Forward Current	I _{pd}	mA	-	10	

Electro-Optical Characteristics (T = 25°C, unless noted otherwise)

Parameter	Symbol	Units	Min.	Typ.	Max.	Test condition	
Threshold Current	I _{th}	mA	-	8	-	CW, Ta = 25°C	
			-	-	30	CW, Ta = 85°C	
Forward Voltage	V _f	V	-	-	2	CW, Ta = 25°C, I _{op} = 35 mA	
Optical Output Power	SMF	P _{FR}	uW	-	2500	-	
Peak Wavelength	L-AT-IC27-00	λ	nm	1264.5	-	1277.5	T _c = -40 ~ 85°C
	L-AT-IC29-00			1284.5	-	1297.5	
	L-AT-IC31-00			1304.5	-	1317.5	
	L-AT-IC33-00			1324.5	-	1337.5	
Spectral Wavelength	Δλ	nm	-	-	1	(RMS 20dB), I _{op} = 35mA K _r = 1, Ta = 25°C	
Side Mode Suppression Ratio	SMSR	dB	30	-	-	T _c = -40 ~ 85°C, I _{op} = 35mA Scan Resolution 0.2nm	
Rise/Fall Time	t _r , t _f	ps	-	20/20	-	T _c = -40 ~ 85°C 20% to 80%	
RIN OMA	RIN ₁₂ OMA	dB/Hz	-	-	-128	ORL=12dB	
Optical Return Loss	ORL	dB	-	-	-20		

* Specifications are subject to change without notice.

Version 1.0

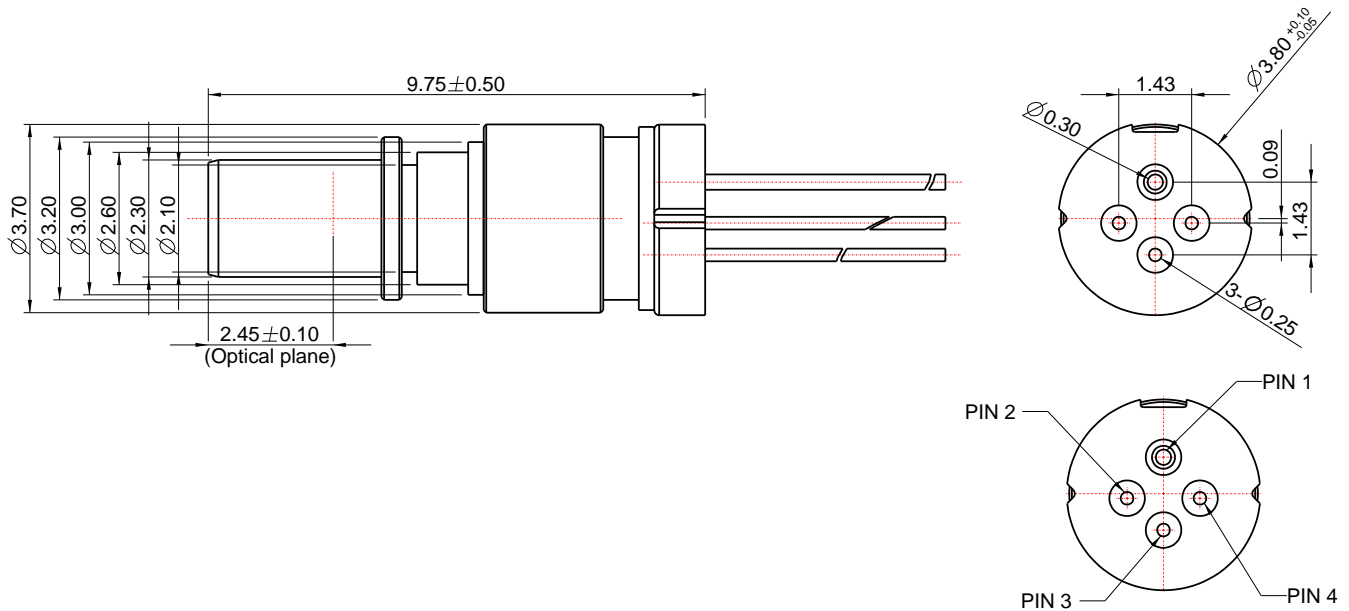
Tracking Error	TE	dB	-1.5	-	1.5	Im @ Iop = 35mA at Ta = 25°C, ΔPf (Ta = 25°C/Tc = 85°C) and ΔPf (Ta = 25°C/Tc = -40°C) @ the same Im
----------------	----	----	------	---	-----	---

Photodiode Characteristics (T = 25°C, unless noted otherwise)

Parameter	Symbol	Units	Min.	Typ.	Max.	Test condition
PD Monitor Current	I _{pd}	mA	0.1		-	CW, I _{op} =35mA
PD Dark Current	I _d	nA	-	-	100	V _R = 1.7 V
PD Capacitance	C	pF	-	10	20	V _R =5 V, f=1MHz

L-AT-ICXX-00 :
Dimensions: (mm)

All dimensions are nominal


Pin Defined

L-AT-ICXX-00	
Number	Function
Pin1	GND/PD+
Pin2	LD+
Pin3	PD -
Pin4	LD -